

# ZOOMLION TELESCOPIC BOOM LIFTS

## ZT30J

Comply with CE Standard



## HIGHLIGHTS

- ▶ Rough terrain chassis features swing axle function, easy to achieve 45% gradeability
- ▶ Industry's first 30-meter product without bridge extending
- ▶ Smooth & stable boom extension, the telescopic efficiency of the boom is increased by 30% compared with that of the double-cylinder telescopic boom
- ▶ Smooth & stable boom extension technique controls the minimum stable extending speed at 0.015m/s (0.034mph)



## FEATURES

### Standard Features

Horn
All motion alarm
Proportional control
Self-closing entry gate
Flashing amber beacon
Auto-leveling system
Emergency stop button
Over tilt protection system
Emergency descent system
On-board diagnostic system
Oscillating axle
4.3' LED display
Load sensing system
Swing-out engine tray
Secondary Guarding System

### Accessories & Options

- ▶ Platform work light
- ▶ AC power to platform
- ▶ Air line to platform
- ▶ Engine heater
- ▶ Low-temperature hydraulic oil
- ▶ Synthetic biodegradable hydraulic oil
- ▶ AC generator, 110V/50Hz or 220V/50Hz
- ▶ Non-marking tire

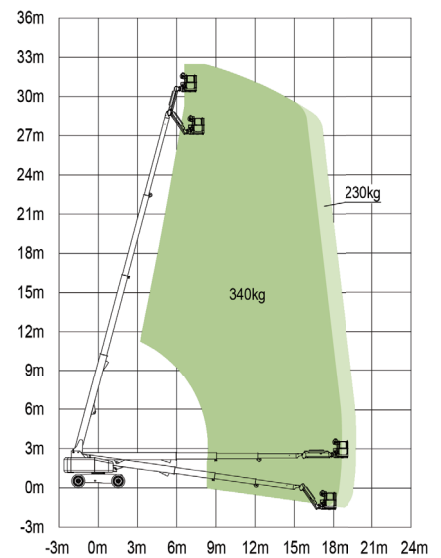
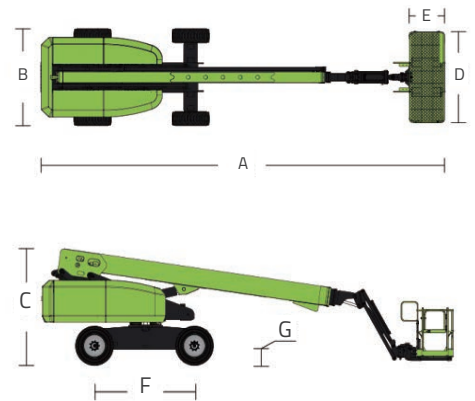


# MAIN SPECS OF TELESCOPIC BOOM LIFTS

## ZT30J

Comply with CE Standard

Model	ZT30J	
	Imperial	Metric
<b>Size</b>		
Work Height	106ft 7in	32.48m
Platform Height	100ft	30.48m
Horizontal Outreach	64ft 11in	19.78m
A - Stowed Length	40ft 9in	12.43m
B - Stowed Width	8ft 2in	2.49m
C - Stowed Height	9ft 2in	2.80m
D - Platform Length	8ft	2.44m
E - Platform Width	3ft	0.91m
Jib Length	6ft	1.83m
F - Wheelbase	10ft	3.05m
Tread	8ft 2in	2.49m
G - Ground Clearance	1ft 4in	0.40m
<b>Performance</b>		
Platform Capacity (Unrestricted/Restricted)	507/750lb	230/340kg
Drive Speed (Stowed)	3.42mph	5.5km/h
Gradeability	45% (24°)	
Turning Radius (Inside)	12ft	3.66m
Turning Radius (Outside)	22ft 6in	6.86m
Turntable Swing	360° continuous	
Platform Rotation	±90°	
Tail Swing	4ft 10in	1.47m
Jib (Range of Articulation)	130° (-55°~75°)	
Max. Wind Speed	28mph	12.5m/s
<b>Power</b>		
Engine	Cummins QSF2.8 54kW/2400rpm Weichai DHN2.3G0020 55.4kW/2600rpm	
Fuel Tank Capacity	39.6 (us gal)	150L
Control Voltage	12V DC	
Hydraulic Tank Capacity	39.6gal	150L
Drive Mode	4WD	
Steering Mode	Front-wheel	
<b>Tire</b>		
Type	15-625 Foam-filled Tires 385/65-24 Solid Tires	
<b>Weight</b>		
Gross	42770lb	19400kg



Range of Motion ZT30J