

EXCAVATOR

ZE1250Esp

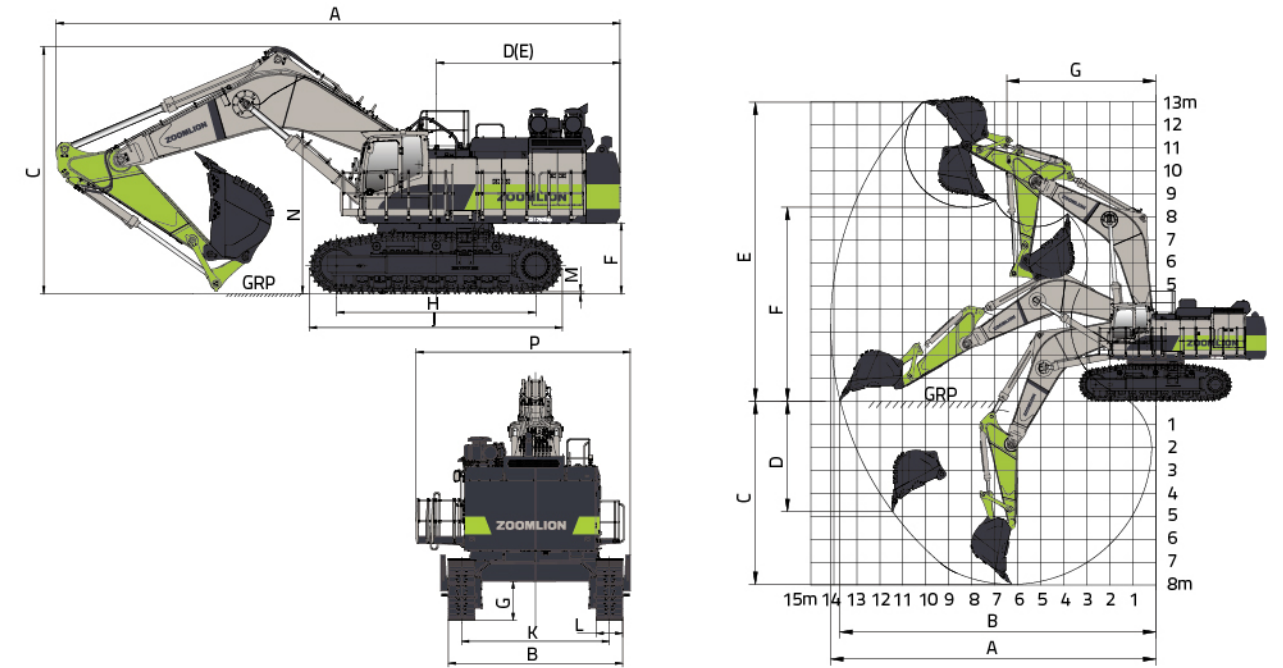


ZOOMLION

Features

The power system of ZE1250E series excavator is equipped with Cummins QSK23 engine, high-pressure fuel injection system as well as Fleetguard fuel and oil filters, featuring large power and strong impetus. The Germany Rexroth positive flow control hydraulic system supplies flow as required to maximumly realize fuel saving. The working devices and chassis are of strengthening designs to make the machine more suitable for operations in severe working conditions. The precise mechanic-electronic-hydraulic integrated control system works together with a large-capacity bucket to make operations more efficient, stable and reliable. The user-friendly design of machine makes operations more comfortable. The rationalized maintenance layout makes maintenance more convenient. The dashboard display is provided with standard configuration of interface with nine languages, such as Chinese, English, French, Russian, Spanish, Portuguese, etc, to meet operating demands of different countries and regions. The machine boasts powerful digging force and fast operating speed. Equipped with large-capacity bucket, it can realize excellent production efficiency. This series of large-scale hydraulic excavator is mainly used in the large-scale engineering projects of mining, huge infrastructure construction, marine reclamation land and harbour channel dredging.

ZE1250Esp excavator is equipped with enlarged rock bucket, shorter boom, shorter arm as well as advanced electrical system and hydraulic system. It boasts stable performance, powerful digging force and fast operating speed. This excavator is widely used in the large-scale engineering projects of mining, huge infrastructure construction, marine reclamation land and harbour channel dredging.



Technical Parameters

	Item	ZE1250E	ZE1250Esp
Key technical parameters	Working mass(kg)	122000	121200
	Rated power(kw/rpm)	567/1800	567/1800
	Standard bucket capacity(SAE) (m³)	5.3	7
	System flow(Max. pressure/ Max. flow)	32/35Mpa 1560L/min	32/35Mpa 1560L/min
	Engine model	Cummins QSK23	Cummins QSK23
	Max. torque(N.m/rpm)	3448/1350	3448/1350
	Traveling speed (low/high)(km/h)	3.22/2.17	3.22/2.17
	Slewing speed (rpm)	5.5	5.5
	Gradeability	35°	35°
	Max. drawbar pull(kN)	765	765
	Digging force of bucket (ISO)(kN)	545	578
	Digging force of stick (ISO)(kN)	450	445

Dimension And Operation Range

	Item	ZE1250E	ZE1250Esp	
Basic technical parameters	A	Length(mm)	16000	14700
	B	Width (mm)	5652	5652
	C	Height (mm)	6400	6400
	D	Slewing radius of tail (mm)	4980	4980
	E	Tail length(mm)	4800	4800
	G	Counterweight ground clearance(mm)	1848	1848
	H	Min. ground clearance(mm)	990	990
	I	Ground contact length(mm)	5200	5200
	J	Track length(mm)	6615	6615
	K	Track gauge(mm)	3900	3900
	M	Track shoe width(mm)	700	700
Operating range	P	Height (UP to the top of the cab) (mm)	4289	4289
	Q	Slewing table width(mm)	5492	5492
	A	Max. excavating radius(mm)	15355	14110
	B	Max. excavating distance(mm)	14985	13710
	C	Max. excavating height(mm)	13150	12950
	D	Max. discharging height(mm)	9650	8380
	E	Max. excavating depth(mm)	9100	7700
F	Max. vertical excavating depth(mm)	6900	4840	
G	Min. slewing radius of front(mm)	7960	6470	