



## 36X-5Z

### TRUCK-MOUNTED CONCRETE PUMP

Placing boom	B5Z 36
Pumping unit	PU1607
Driven by	Gearbox PTO
Chassis	8x4 / 6x4

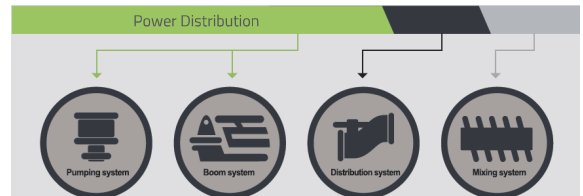


### Technical Specification

BOOM B5Z 36		
Maximum vertical reach	m	35.5
Maximum horizontal reach (from center of slewing axis)	m	31.1
Maximum depth reach	m	25.5
Minimum unfolding height	m	8.5
Section numbers		5
Boom type		Z
Pipeline diameter	mm	125
PUMP PU1607		
Maximum theoretical output	m <sup>3</sup> /h	160/100
Maximum theoretical pressure on concrete	bar	70/110
Concrete cylinders (diam. x stroke)	mm	230 x 2100
Hydraulic circuit	Open	2 x 130
CHASSIS		
Chassis brand		DAF
Engine power	HP	530
Emission standard		Euro 5/6

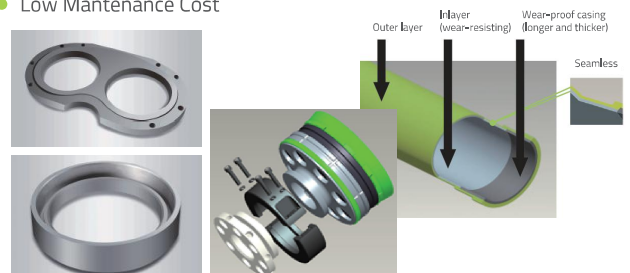
### Product Highlight

- Energy saving



The 4th self-adaptive variable power technology saves fuel by 10%.

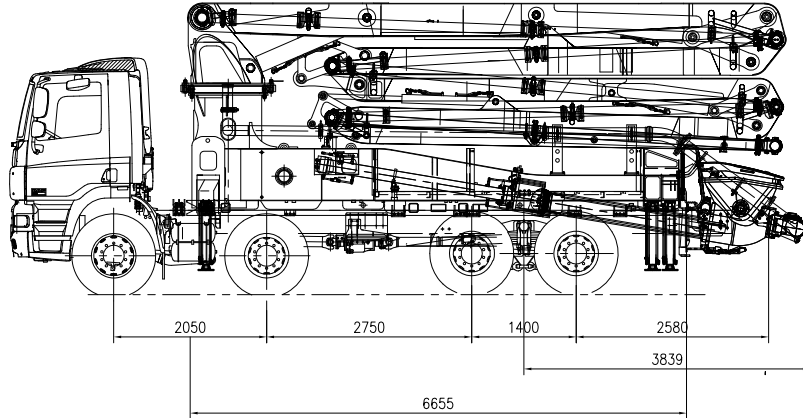
- High reliability: Fatigue optimization design  
Service life of boom structure: 8 years or 400,000 m<sup>3</sup> without crack, making it equivalent to European standard.
- Intelligence : 3-level fault self-diagnosis  
Full self-diagnosis before, after and during pumping to ensure working safely.  
With 31 inserted sensors, execute 61 self-diagnosis items.
- Low Maintenance Cost



Wearing parts have long service life.

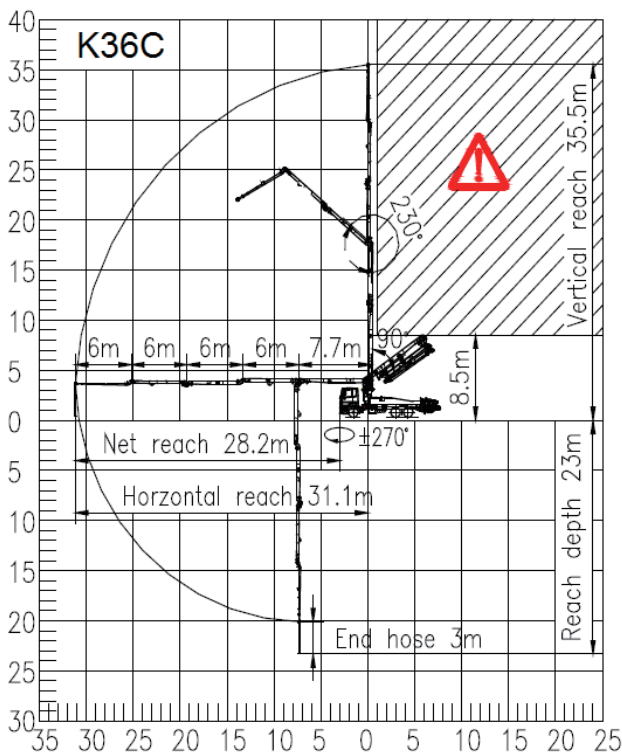


## 36X-5Z

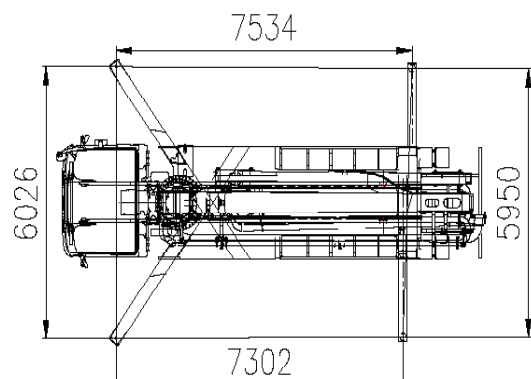


	1st axle	2nd axle	3rd axle	4th axle	total
up structure	990 kg	1120kg	7545kg	7545kg	17200kg
chassis	3440 kg	3440kg	1860kg	1860kg	10600kg
total	4430 kg	4560kg	9405kg	9405kg	27800kg

Note: Dimensions depend on truck.  
Dimensions in mm.



! : Range in which forbid to work.



**L&W EQUIPMENT**  
GROUP LIMITED

Phone: 021 273 7369  
E-mail: info@lw-equipment.com

Add: 781 Te Atatu Road, Peninsula, Auckland, 0610  
Web: lw-equipment.com